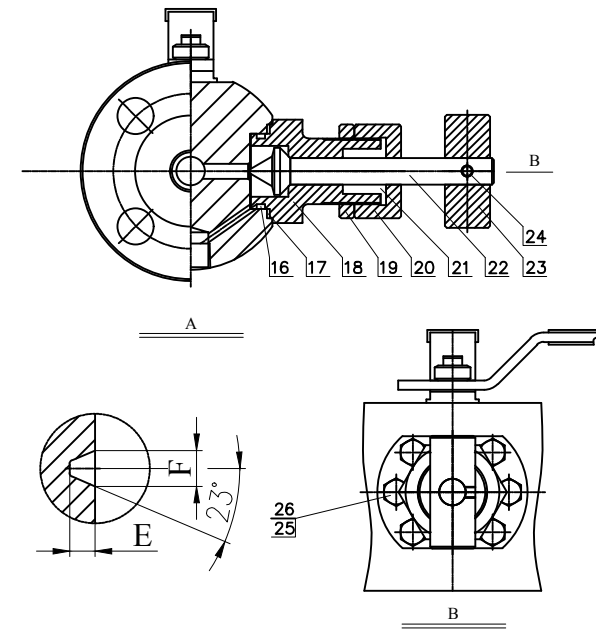
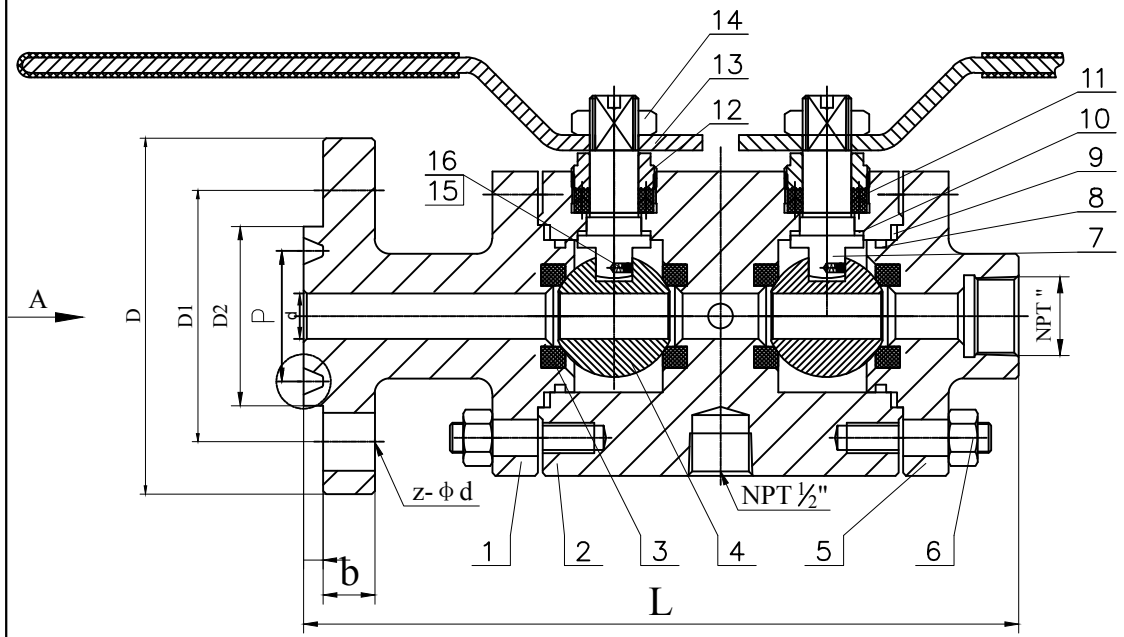


2500LB RTJ*NPT

Main Performance:	
Nominal Pressure	2500LB
Strength test pressure	63.0
Seal test pressure	46.3
Air seal pressure	0.6
Max.temperature	-29~120°C
Medium	Water.oil.gas etc.

NPS	L	D	D1	D2	b	z-φd	E	F	P	d	NPT
1/2"	396	135	88.9	65	30.2	4-φ22	6.35	8.74	42.88	10	1/2"
2"	676	235	171.4	133	50.9	8-φ29	7.92	11.91	101.6	49	2"



13	Lever	CS	26	Stud	A193 B8
12	Bushing	A182 F316	25	Screw	A194 8
11	PacKing	Graphite	24	Lever	CS
10	GasKet	VITON	23	Stem	A182 F316
9	GasKet	SS316+ Graphite	22	PacKing	PTFE
8	O-Ring	VITON	21	Bushing	A182 F316
7	Stem	A182 F316	20	Retaining nut	SS316
6	Stud/Nut	A193 B8/A194 8	19	Bonnet	A182 F316
5	Bonnet	A182 F316	18	GasKet	VITON
4	Ball	UNS S316	17	O-Ring	VITON
3	SeatSeal	PEEK	16	SteelBall	SS316
2	Body	A182 F316	15	Spring	SS316
1	Bonnet	A182 F316	14	Retaining nut	A193 B8
No.	Parts Name	Material	No.	Parts Name	Material

Technical Specifaicon	
ASME B16.34	Design & manufacture standard
ASME B16.10	Face to face standard
ASME B16.5	Flange dimension conforms standard
API 607	Fire safety standard
ANSI B1.20.1	Threaded dimension conforms standard
API 598	Inspection & test standard

Ball Valve		Construction
Page	1	